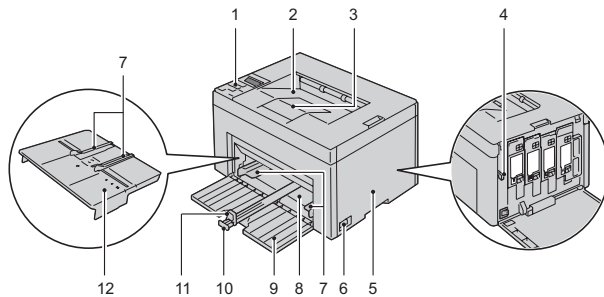
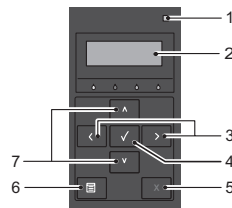


About Your Printer

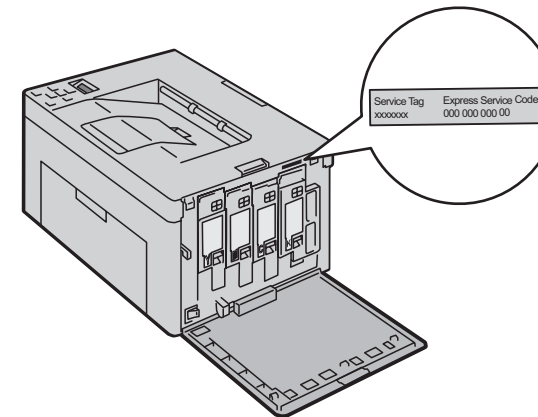


| | | | |
|----|-----------------------|----|-------------------------------|
| 1 | Operator Panel | 2 | Output Tray |
| 3 | Output Tray Extension | 4 | Print Head Cleaning Rod |
| 5 | Toner Access Cover | 6 | Power Switch |
| 7 | Paper Width Guides | 8 | Multipurpose Feeder (MPF) |
| 9 | Front Cover | 10 | Length Guide |
| 11 | MPF Extension | 12 | Priority Sheet Inserter (PSI) |



| | | |
|---|-----------------------|---|
| 1 | Ready/Error indicator | <ul style="list-style-type: none"> Green: Printer is ready. Orange: An error has occurred. Orange and blinking: An unrecoverable print error has occurred. |
| 2 | LCD panel | Displays the printer status and messages. |
| 3 | ◀ ▶ buttons | In the Menu mode, selects submenus or setting values. |
| 4 | ✓ button | In the Menu mode, displays the selected item and determines the selected value. |
| 5 | X (Cancel) button | Cancels the current print job. |
| 6 | ☰ (Menu) button | Switches between the Menu and the Print mode. |
| 7 | ▲ ▼ buttons | In the Menu mode, scrolls through menus or items. |

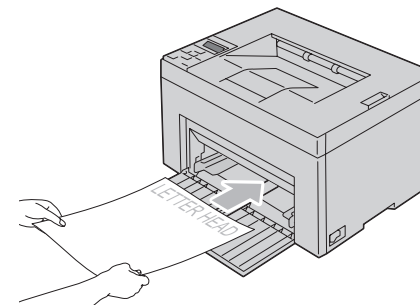
Locating the Service Tag



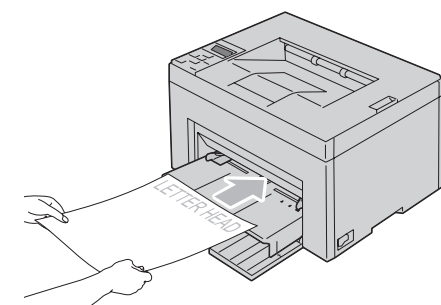
Loading Letterhead

Load the letterhead in the printer with the print-side facing up. Ensure that the title on the letter head enters the printer first.

Multipurpose Feeder (MPF)



Priority Sheet Inserter (PSI)

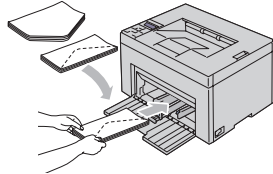


Loading Envelopes

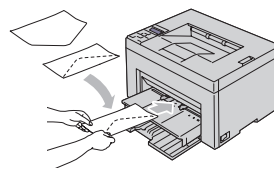
Load envelopes in the printer as shown below:

NOTE: When you print on envelopes, be sure to specify the envelope setting on the printer driver. If not specified, the print image will be rotated 180 degrees.

Envelope#10, DL, or Monarch
Multipurpose Feeder (MPF)

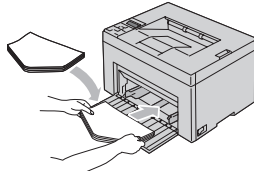


Priority Sheet Inserter (PSI)

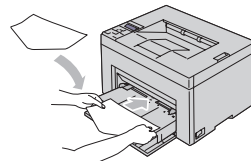


To prevent DL and Monarch from being wrinkled, they are recommended to be loaded with the print-side facing up, flap opened, and facing you.

Multipurpose Feeder (MPF)

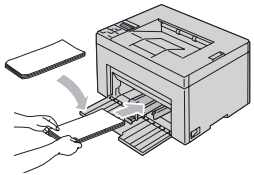


Priority Sheet Inserter (PSI)

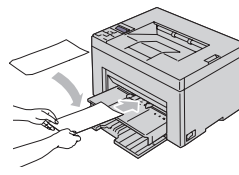


C5

Multipurpose Feeder (MPF)



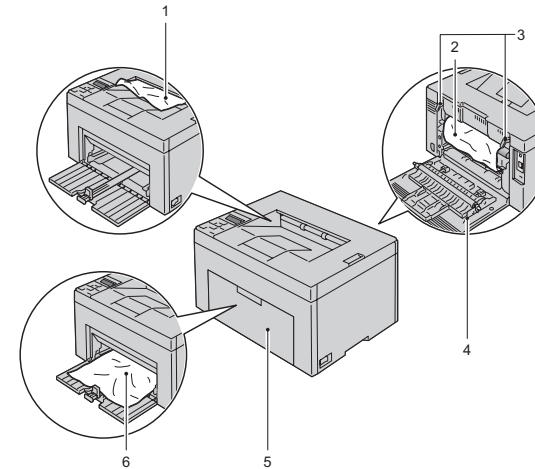
Priority Sheet Inserter (PSI)



Identifying the Location of Paper Jams

The paper jams may occur at any of the locations shown below:

CAUTION: To avoid permanent damage to your printer, do not attempt to clear paper jams using any tools or instruments.



| | |
|---|---------------------------|
| 1 | Output Tray |
| 2 | Transfer Belt |
| 3 | Fuser Release Lever |
| 4 | Rear Cover |
| 5 | Front Cover |
| 6 | Multipurpose Feeder (MPF) |

Printing the Printer Settings Page

- 1 In the operator panel, press the (Menu) button.
- 2 Ensure that Report/List appears, and then press the button.
- 3 Ensure that Printer Setting appears, and then press the button.
The printer settings page is printed.

Finding Information

For more information, see the following documents available on the *Drivers and Utilities* disc.

- **Setup Guide**
Setup instructions for printer hardware. Access to software and drivers.
- **User's Guide**
Additional information about printer components, paper jam clearance, and consumable replacement.

Troubleshooting

Clearing jams

- ➔ See "Clearing Jams" in the *User's Guide*

Print quality and other printing problems

- ➔ See "Troubleshooting" in the *User's Guide*

Common error messages

- ➔ See "Understanding Printer Messages" in the *User's Guide*

Cleaning the Printer

Vertical blanks appearing in prints

- ➔ See "Maintaining Your Printer" in the *User's Guide*

An alert for the CTD sensor appears

- ➔ See "Maintaining Your Printer" in the *User's Guide*

Replacing Toners

To replace toners

- ➔ See "Maintaining Your Printer" in the *User's Guide*